

JØTUL F 520 JØTUL F 520 LB

Jøtul F 520
EN 16510
Manual Version P03

UK - Installation and operating instructions	3
DE - Montage- und Gebrauchsanleitung	25
NL - Installatie- en montagehandleiding	48
PL - Instrukcja montażu i obsługi	71



F 520



F 520 LB



The manuals which are enclosed with the product must be kept throughout the product's entire service life.

EU no. 215/1186 - 24/04/2015

Datasheet / Fiche Technique / Ficha técnica /
Scheda dati / Datasheet / Datenblatt / Dane techniczne



Requirements / Exigences / Requisitos / Requisiti / Vereisten / Forderungen / Wymagania	
Supplier / Fabricante / Fornitore / Vereisten / Lieferant / Producent:	Jøtul AS
Product models / Produits concernés / Modelos / Modelli / Product modellen / Varianten der Feuerstelle / Modele produktu	JØTUL F 520, JØTUL F 520 HT, JØTUL F 520 LB
Energy efficiency class / Classe énergétique / Clase de eficiencia energética / Classe energetica / Energie efficiëncy klasse / Energieeffizienz-Klasse / Klasa efektywności energetycznej	A
Direct heat output / Puissance réelle de sortie / Potencia calorífica emitida / Emissione di calore diretta / Directe warmte afgifte / Nennwärmeleistung / Bezpośrednia moc grzewcza	7,5 kW
Energy efficiency index / Index de rendement énergétique / Índice de eficiencia energética / Indice di efficienza energetica / Energie efficiëncy index / Energieeffizienz-Index / Indeks efektywności energetycznej	102
Efficiency at nominal heat output / Rendement à puissance nominale / Eficiencia al rendimiento nominal / Efficienza alla potenza nominale / Efficiëncy bij nominale warmte afgifte / Wirkungsgrad bei Nennheizleistung / Sprawność dla mocy znamionowej	77 %
<ul style="list-style-type: none">Any specific precautions that shall be taken when the local space heater is assembled installed or maintained.Toutes les précautions spécifiques doivent être prises lors de l'assemblage, l'installation ou l'entretien de l'appareil.Cualquier precaución específica que deba tenerse en cuenta durante el montaje, instalación o mantenimiento del equipo de calefacciónPrecauzioni specifiche da prendere quando il riscaldatore viene assemblato, installato o mantenuto in uno spazio.Eventuele specifieke voorzorgsmaatregelen die worden genomen wanneer de plaatselijke ruimtewerwarming wordt gemonteerd, geïnstalleerd of onderhouden.Besondere Maßnahmen bei Montierung, Installation und Wartung.Wszelkie szczególne środki ostrożności, które należy podjąć, gdy lokalny ogrzewacz pomieszczeń jest zamontowany lub konserwo	<ul style="list-style-type: none">Fire safety precautions such as safety distances when installing, national standards, local codes and regulations. See the Instructions manual.Les précautions d'incendie telles que les distances de sécurité lors de l'installation, le suivi des normes, les codes locaux et les réglementations nationales. Veuillez lire le manuel d'installation.Precauciones frente a incendios como distancia de seguridad en la instalación, estándares nacionales, códigos locales y reglamentos. Lea el manual de instalación.Precauzioni per la sicurezza antincendio come le distanze di sicurezza durante l'installazione, le normative nazionali e locali. Leggere il manual.Brandveiligheidsmaatregelen, zoals veiligheidsafstanden bij installatie, nationale normen, lokale codes en voorschriften. Lees de installatiehandleiding.Für brenntechnische Verhältnisse, wie z.B. Aufstellbedingungen und nationale Forderungen. Siehe die Montage- und Bedienungsanleitung.Środki bezpieczeństwa przeciwpożarowego, takie jak odległości od materiałów palnych jakie należy zachować podczas instalacji, normy krajowe, lokalne przepisy i regulacje. Patrz instrukcja obsługi.

UK - Installation and operating instructions

Table of contents

2.0 Technical Data.....	3
3.0 Safety.....	7
4.0 Installation.....	13
5.0 Daily use.....	18
6.0 Maintenance.....	20
7.0 Servicing.....	20
8.0 Operational problems - troubleshooting.....	23
9.0 Optional extras.....	23
10.0 Recycling.....	24
11.0 Guarantee terms.....	24

2.0 Technical Data

Installation

- All local regulations, including those referring to national and European Standards as well as the information provided in this assembly and instruction manual need to be complied with when installing the appliance.
- When you install any kind of fireplace or stove, you must inform the local building and housing authorities. In addition you are obliged to have the installation inspected and approved by a local chimney sweep prior to the commissioning
- To ensure best possible functionality and safety for your installation, we advise you to call a professional fitter. Your Jøtul Dealer will be able to recommend a qualified fitter in your area. For information on Jøtul Dealers, please go to www.jotul.com

Safety

Any changed made to the product by the dealer, fitter or user could result in the product and safety functions not functioning as intended. The same applies to the fitting of accessories or extra equipment not supplied by Jøtul AS. This could also be the case if parts that are necessary for the operation and safety of the stove are dismantled or removed.



This stove is produced in accordance with type approval for the product, which also covers the product's Assembly and Instruction Manual. Read and follow the user operating instructions carefully.

The Declaration of Performance (DoP) is available on www.jotul.com

Technical data

Test in compliance with EN 16510		
	Classification of appliance	Type BF
P_{nom}	Nominal heat output	7,5 kW
η_{nom}	Energy efficiency at nominal heat output	77 %
η_s	Seasonal space heating energy efficiency at nominal heat output	67 %
EEI	Energy efficiency index	102
	Energy efficiency class	A
	Fuel	Wood logs *
	Fuel length, maximum	500 mm
	Fuel consumption	2,3 kg/h
	Amount of fuel	1,7 kg
	Amount of fuel, maximum	2,5 kg
CO_{nom}	CO emission at 13% O ₂ at nominal heat output	0,079 %
		988 mg/Nm ³
NO_{xnom}	NO _x emission at 13% O ₂ at nominal heat output	49 mg/Nm ³
OGC_{nom}	OGC emission at 13% O ₂ at nominal heat output	72 mg/Nm ³
PM_{nom}	Dust emission at 13% O ₂ at nominal heat output	13 mg/Nm ³
p_{nom}	Flue draught at nominal heat output	13 Pa
	Recommended sub-pressure in the connecting piece	18-20 Pa
	Required combustion air supply	21,6 m ³ /h
T_{snom}	Flue gas outlet temperature at nominal heat output	370 °C
T class	Chimney designation	T400 G
$\phi_{f.g nom}$	Flue gas mass flow at nominal heat output	7,3 g/sec
V_h	Standing air loss	NPD m ³ /h
	Leakage before testing at gauge pressure of 5 Pa (1013 mbar, 27 °C)	3,18 Nm ³ /h
	Leakage before testing at gauge pressure of 10 Pa (1013 mbar, 27 °C)	4,28 Nm ³ /h
	Leakage before testing at gauge pressure of 15 Pa (1013 mbar, 27 °C)	6,73 Nm ³ /h
CON/INT	Continuous operation (CON)/Intermittend operation (INT)	INT**
	Reaction to fire classification	A1
E, f	Power supply voltage, frequency	- V

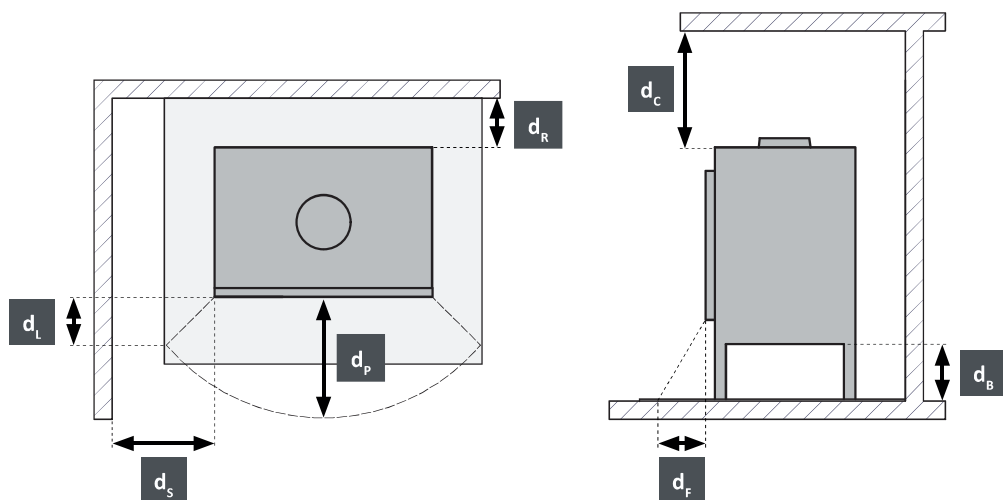
* Use only recommended fuels - designation I.

** Intermittent operation in this context means normal use of a wood-burning stove. In other words, you should let the fire die down until only the embers are left before refueling.

Technical Data

Basic technical data F 520 / F 520 HT / F 520 LB		
Materials		Stainless steel Cast iron Ceramic stone/vermiculite Glass
Surface treatment		Senotherm
Smoke outlet		Top / Top & back / Top
d_{out}	Diameter of the flue gas outlet	150 mm
	Fresh air connection piece external diameter	80/100 mm
L	Overall dimensions (length)	532/532/442 mm
H	Overall dimensions (height)	1000/1319/538 mm
W	Overall dimensions (width)	594 mm
m	Mass (weight)	170/201/133 kg
m_{chim}	Maximum load of a chimney the stove may carry	120 kg

Minimum distances to combustible materials		
d_R	Rear (Uninsulated/insulated flue pipe and extra heat shield)	300/100 mm
d_S	Sides	700 mm
d_C	Ceiling	750 mm
d_P	Front	900 mm
d_F	Front to the bottom front radiation area	0 mm
d_L	Front to the side front radiation area	0 mm
d_B	Minimum distance below the bottom not regarding feet	0 mm
d_{non}	Minimum distances to non-combustible walls.	50 mm
	Corner	565 mm
	The code for insulated flue pipe	T400-N1-D-Vm-L50050-G100



Approval Label

All Jøtul wood-burning stoves are fitted with an approval label that specifies the approval standards and the distance to combustible materials.

The approval label is located at the rear of the stove. The approval label provides a pin and lot number. These numbers should be quoted when contacting your dealer or Jøtul AS and is required in the event of a complaint.

Approval Label

JØTUL F 520
JØTUL F 520 HT
JØTUL F 520 LB

CE 15

Harmonised standard: EN 16510-2-1:2022

Approved by: DTI • NB no. 1235

Classification of appliance: Type BF

Recommended fuels (designation): Wood logs (I)

Manufacturer: Jøtul AS, POB 1411, N-1602 Fredrikstad, Norway

Declaration of Performance: CPR-F520-26062025

Intended use: Space heating in residential buildings

P_{nom}	7,5	kW	Read and follow instruction manual for further information
η_{nom}	77	%	
CO_{nom} (13 % O ₂)	988	mg/m ³	
NO_{xnom} (13 % O ₂)	49	mg/m ³	
OGC_{nom} (13 % O ₂)	72	mg/m ³	
PM_{nom} (13 % O ₂)	13	mg/m ³	
p_{nom}	13	Pa	
d_R (rear)	300	mm	
d_S (side)	700	mm	
d_C (ceiling)	750	mm	
d_P (front)	900	mm	For distance to combustibles when using insulated flue pipe and/or additional accessories, refer to the instruction manual.
d_F (floor in front)	0	mm	
d_L (side radiation area)	0	mm	
d_B (bottom)	0	mm	

10067687-P02

Lot no: 000000 2025 PIN: 000

TYPE PLATE EXPLANATION

- 1 Type and/or the model number or designation to enable the appliance to be identified
- 2 Applicable standards
- 3 Name of test centre/certification number
- 4 Classification of appliance
- 5 Recommended fuels
- 6 Manufacturer's name and address
- 7 DOP document number
- 8 Table of values:
 - P_{nom} - nominal heat output
 - η_{nom} - energy efficiency at nominal heat output
 - CO_{nom} - CO emission at 13% O₂ at nominal heat output
 - NO_{xnom} - NO_x emission at 13 % O₂ at nominal heat output
 - OGC_{nom} - OGC emission at 13 % O₂ at nominal heat output
 - PM_{nom} - dust emission at 13 % O₂ at nominal heat output
 - p_{nom} - flue draught at nominal heat output
- Minimum distances to combustible materials:
 - d_R - back
 - d_S - sides
 - d_C - ceiling
 - d_P - front
 - d_F - front to the bottom front radiation area
 - d_L - front to the side front radiation area
 - d_B - below the bottom (not regarding feet)
- 9 CE mark of conformity- The digits indicate the year of issue of the certificate
- 10 Product specifications and instructions
- 11 Waste electrical and electronic equipment
- 12 Type plate number
- 13 Product registration number

ENGLISH

3.0 Safety

NB! To guarantee optimal performance and safety, Jøtul recommends that its stoves are fitted by a qualified installer (see www.jotul.com for a complete list of dealers).

Any modifications to the product by the distributor, installer or consumer may result in the product and safety features not functioning as intended. The same applies to the installation of accessories or optional extras not supplied by Jøtul. This may also be the case if parts that are essential to the functioning and safety of the fireplace have been disassembled or removed.

In all these cases, the manufacturer is not responsible or liable for the product and the right to make a complaint becomes null and void.

NB: Parts of the stove, in particular, the external surfaces, get hot during combustion! Exercise caution!

3.1 Fire Prevention Measures

There is a certain element of danger every time you use your fireplace. The following instructions must therefore be followed:

- The minimum safety distances when installing and using the fireplace are given in **fig. 1**.
- Ensure that furniture and other flammable materials are not too close to the fireplace. Flammable materials should not be placed within 900 mm of the fireplace.
- Allow the fire to burn out. Never extinguish the flames with water.
- The fireplace becomes hot when lit and may cause burns if touched.
- Only remove ash when the fireplace is cold. Ash can contain hot embers and should therefore be placed in a non-flammable container.
- Ash should be placed outdoors or be emptied in a place where it will not present a potential fire hazard.

In case of chimney fire:

- Close all hatches and vents.
- Keep the firebox door closed.
- Check the loft and cellar for smoke.
- Call the fire service.
- Before use after a fire an expert must check the fireplace and the chimney in order to ensure that it is fully functional.

Steel chimney

If a top-mounted steel chimney is used, fit an uninsulated pipe from the burn chamber to approx. 10 mm over the top grate. Make sure that the gasket is properly seated between the flue pipe and the smoke outlet. Then fit the steel chimney in accordance with the chimney supplier's installation instructions.

3.2 Glove

Use the protective glove when handling the product when it is hot.

3.3 Floor

Foundation

You need to make sure the foundation is suitable for a fireplace. See "**2.0 Technical Data**" for specified weight.

We recommend the removal of any flooring that is not attached to the foundation ("floating floors") beneath the installation.

Jøtul recommends that any flooring made of combustible material, such as linoleum, carpets, etc. should be removed from under the floor plate.

Requirements for protection of inflammable floors in front of the fireplace

The front plate must comply with national laws and regulations. Contact your local building authorities regarding restrictions and installation requirements.

3.4 Walls

Distance to walls made of combustible material - see **fig. 1a**

Distance to combustible wall protected by firewall: See **fig. 1b**.

The fireplace may be used with an uninsulated flue pipe provided the distances between the fireplace and walls made of combustible materials are as shown in **fig. 1a**. Alternative distances with shielded or insulated flue pipe are also displayed in **fig. 1b**.

NB: Place the product in such a way that it is possible to clean the stove, the flue pipe and the chimney passage.

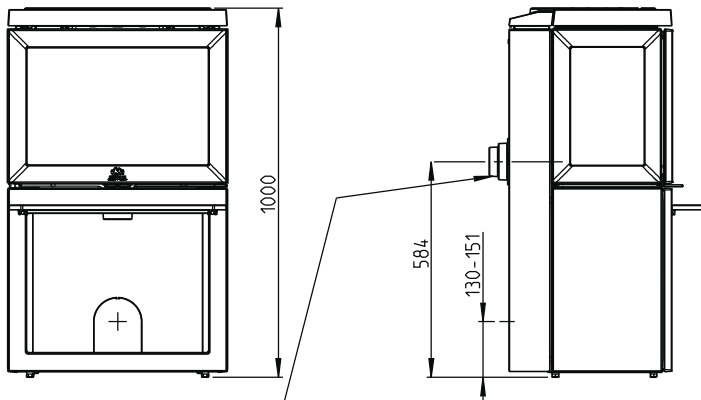
Note! Ensure that furniture and other flammable materials are not too close to the fireplace. Flammable materials should not be placed within 900 mm of the fireplace.

NB: Make sure that furniture and other household items are not so close as to get dried up by the stove.

3.5 Ceiling

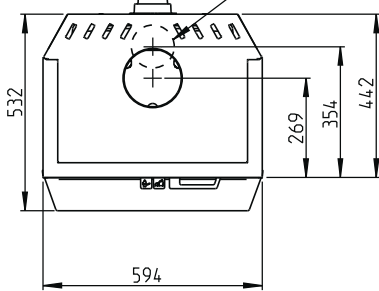
The fireplace can be fitted with the top edge of the hot air opening of the surround **at least 750 mm** below a ceiling of inflammable material.

JØTUL F 520 / JØTUL F 520 High Top

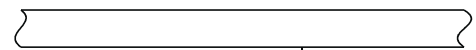
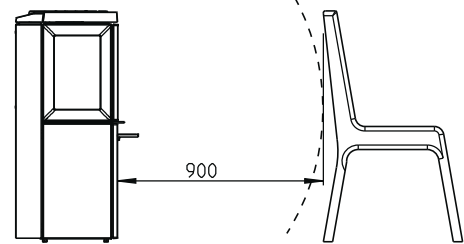


Hole in wall for outside air connection $\varnothing 80$ / $\varnothing 100$

Hole in floor for outside air connection $\varnothing 80$ / $\varnothing 100$

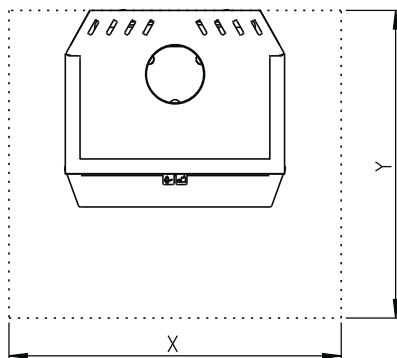


Minimum clearance from furniture/combustible materials



Minimum distance to ceiling

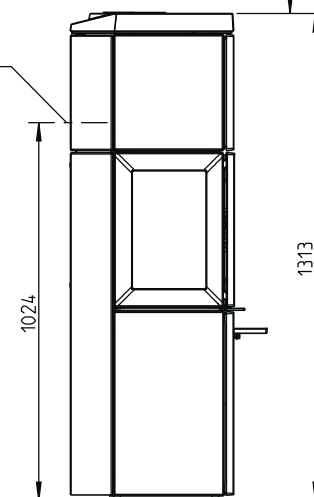
706



Min. dimensions for floor plate

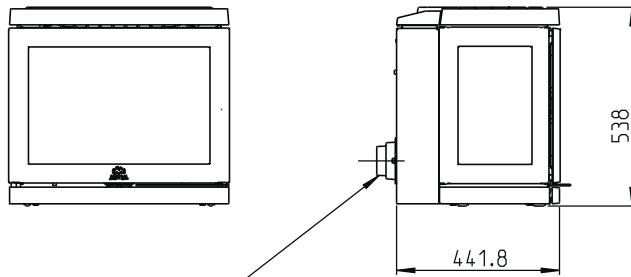
X/Y = in compliance with national laws and regulations

Rear outlet
Only for HT



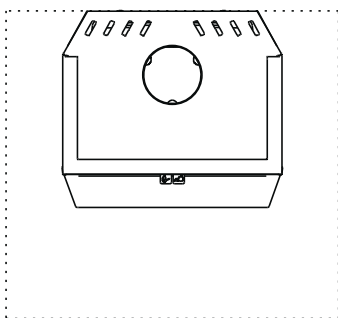
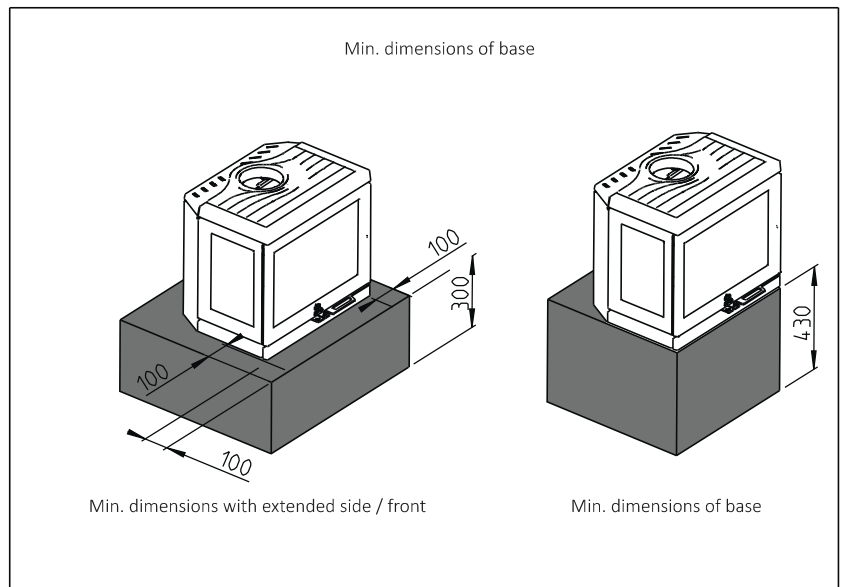
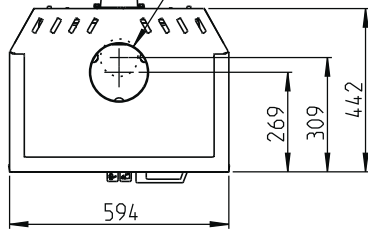
900187-P05

Jøtul F 520 LB



Hole in wall for outside air connection $\varnothing 80 / \varnothing 100$

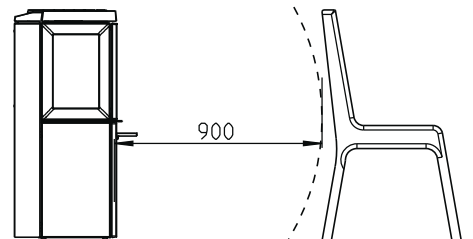
Hole in floor/base for outside air connection $\varnothing 80 / \varnothing 100$



Min. dimensions for floor plate

X/Y = in compliance with national laws and regulations

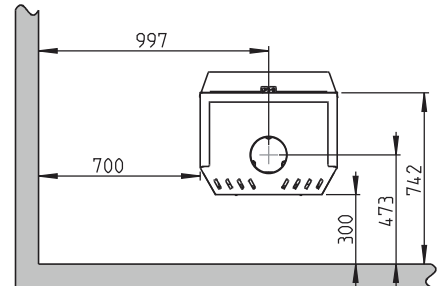
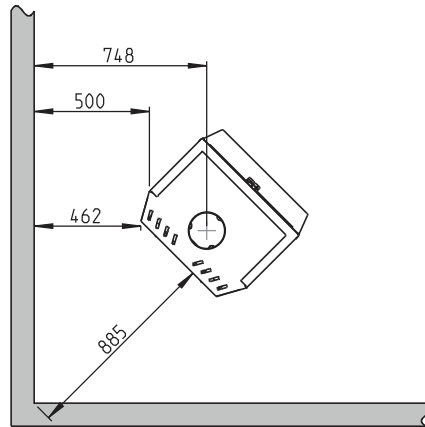
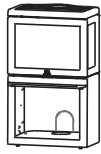
Minimum clearance from furniture/combustible materials



F 520 / F 520 LB / F 520 HT :
Minimum distance to combustible wall

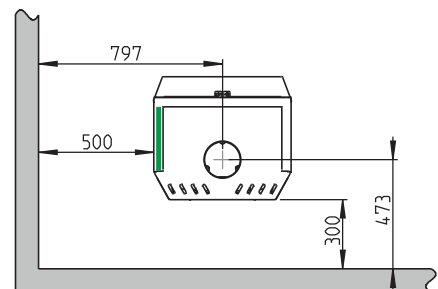
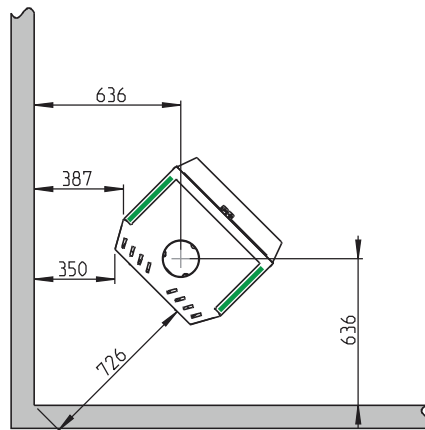
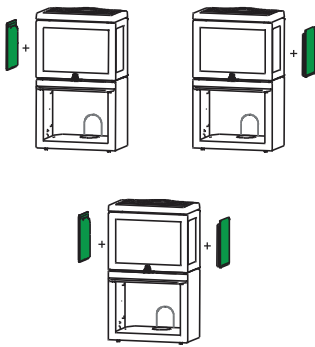
With semi-insulated chimney/shielded flue pipe all the way down to the product

 Combustible wall



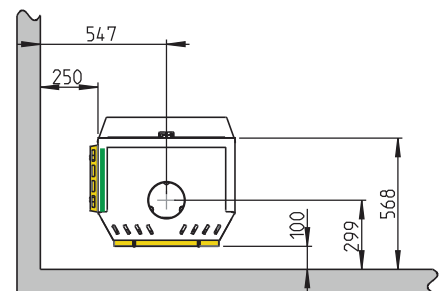
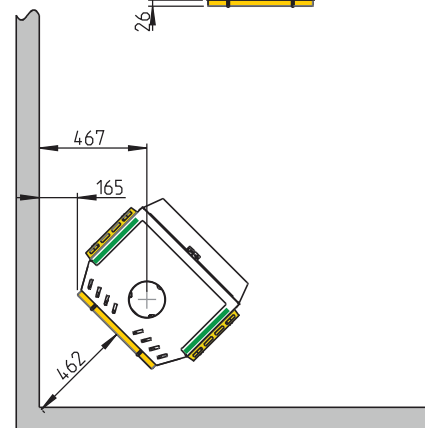
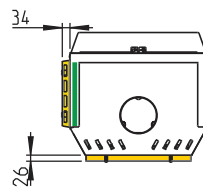
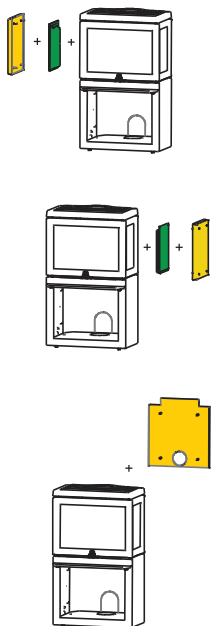
F 520 / F 520 LB / F 520 HT

With retrofitted cast iron side



F 520 / F 520 LB / F 520 HT

- With retrofitted cast iron side and convection kit side
- With retrofitted convection kit rear



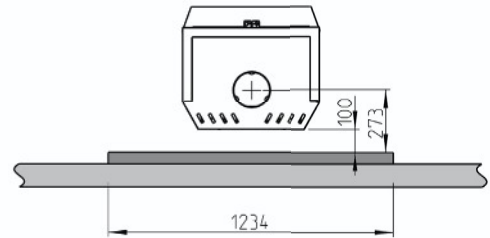
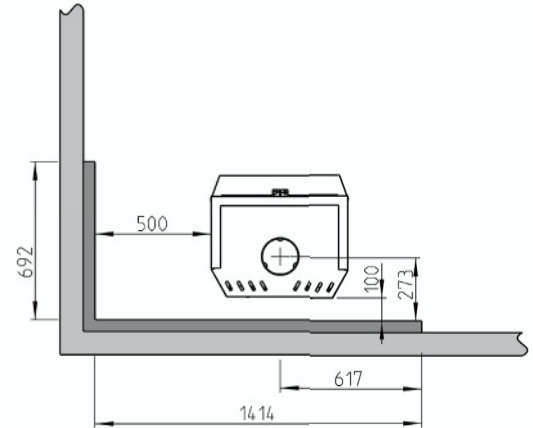
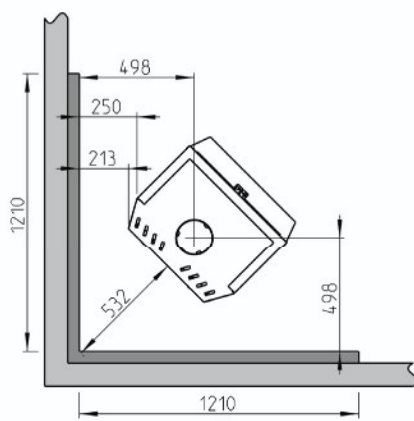
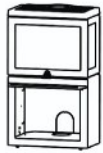
ENGLISH

F 520 / F 520 LB / F 520 HT: Minimum distance to combustible wall protected by approved fireproof wall

With semi-insulated chimney/shielded flue pipe all the way down to the product

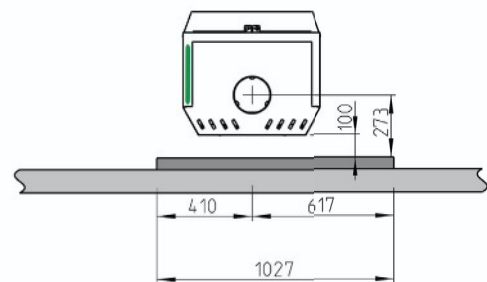
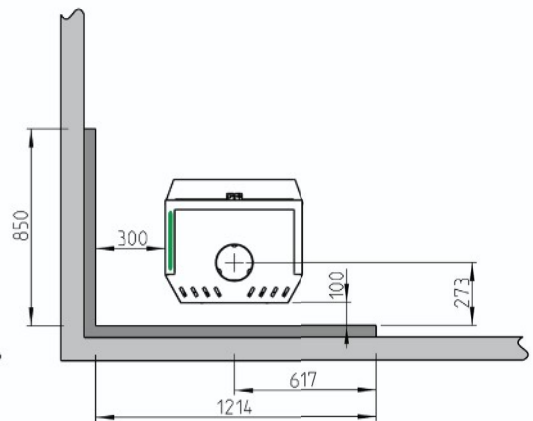
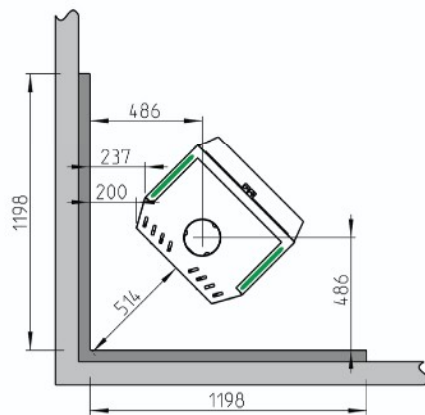
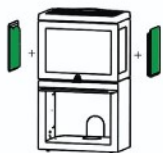
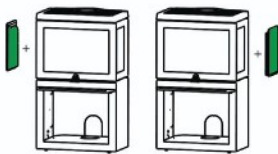
 Combustible wall

 Firewall



F 520 / F 520 LB / F 520 High Top:

With retrofitted cast iron side



900187-P05

Fresh air supply

The air used for combustion in any well-insulated house needs to be replaced. This is particularly important in houses with mechanical ventilation. Such replacement air can be procured in several ways. The most important thing is to supply the air to the room where the stove is placed. Place the outside wall valve as close to the stove as possible and make sure that it can be closed when the stove is not in use.

For the fresh air supply connection, follow the national and local building regulations.

Extractor fans, when operating in the same room or space as the appliance, could cause problems.

Closed combustion system

Use the stove's closed combustion system if you live in recently built, airtight dwellings. Connect the external combustion air through a ventilation pipe through the wall or the floor.

Air supply

The amount of combustion air for Jøtul's products is approximately 20-40 m³/h. The outside air connection may be fitted directly to the Jøtul F 520 through:

- the bottom/rear
- through a flexible supply hose from the outside/chimney (only if the chimney has its own duct for external air) and to the product's outside air connector.
-

Fig. 2A, through an outside wall

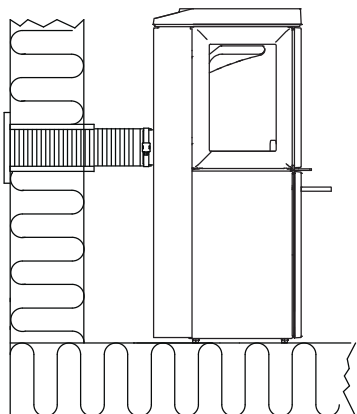


Fig. 2B, through the floor and ground plate

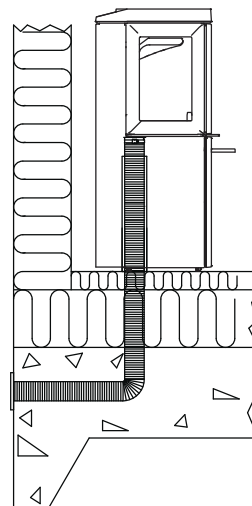


Fig. 2C, through the floor and basement

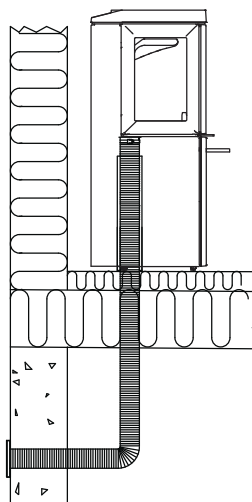
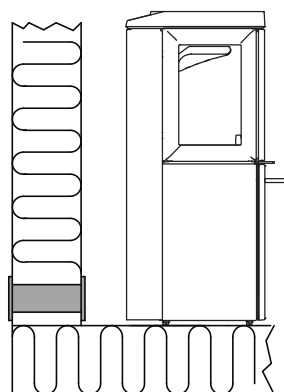


Fig. 2D, indirectly through an outside wall



ENGLISH

4.0 Installation

NB: Check that the fireplace is undamaged before installation begins.

NB: The product is heavy! Ensure you have help when positioning and installing it. Make sure the product does not topple over.

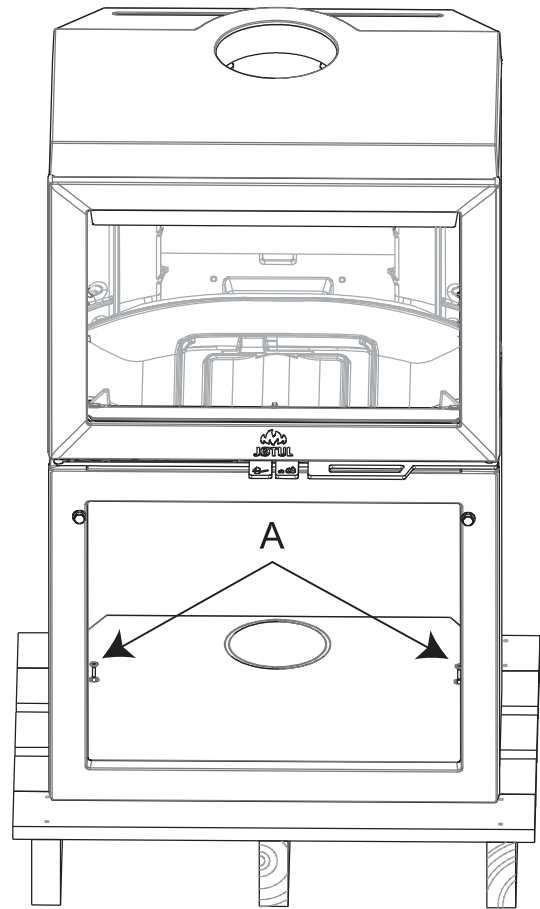
NB: Do not place anything on the top plate of the stove as this could cause permanent damage to the paint.

NB: Read the Installation and Operating instructions carefully before installing the fireplace!

- The stove must be installed in rooms with a good ventilation. A good ventilation is vital for the efficient operation of your stove.
- The appliance shall not be installed with ventilating systems which have pressure below -15 Pa.
- We recommend installing smoke detectors in the home.
- The distances specified in the manual only apply if you comply with the maximum amount of firewood. They only guarantee fire safety.
- There is no guarantee that the present building materials can withstand the temperature in relation to visual changes.
- Check that Building Regulations and any local by laws are followed during installation.

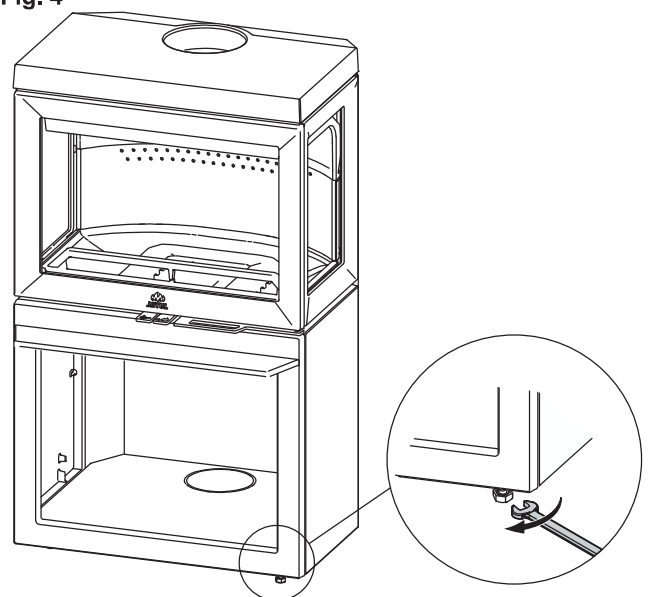
4.1 Prior to installation - Jøtul F 520

Fig. 3

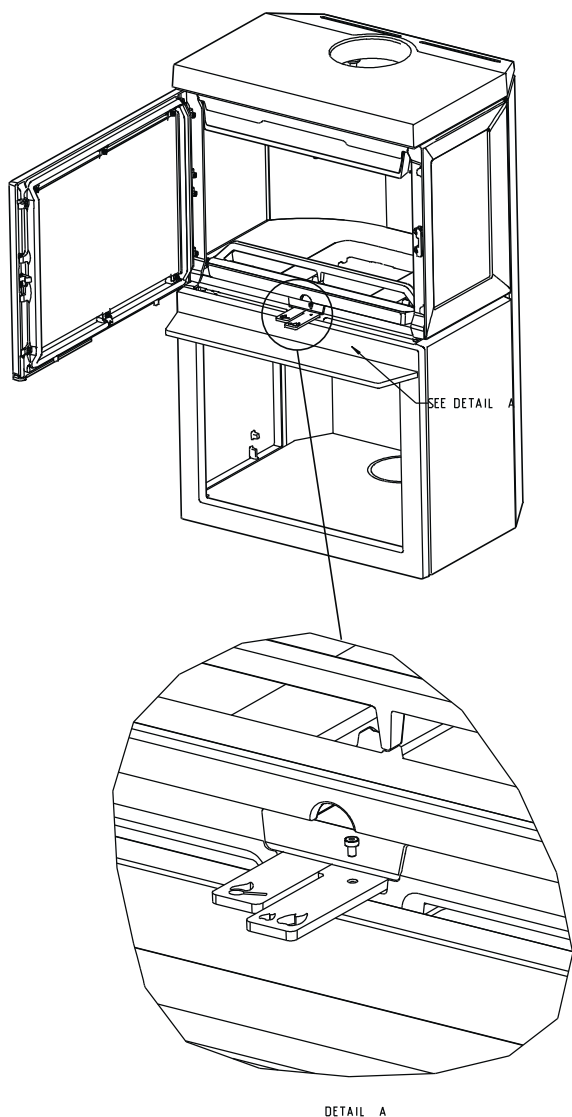


1. Remove the two transport screws (**A**) that fasten the stove to the wooden pallet.
2. Leave the stove standing on the transport pallet.
3. Check that the control lever (**B**) moves easily.

Fig. 4

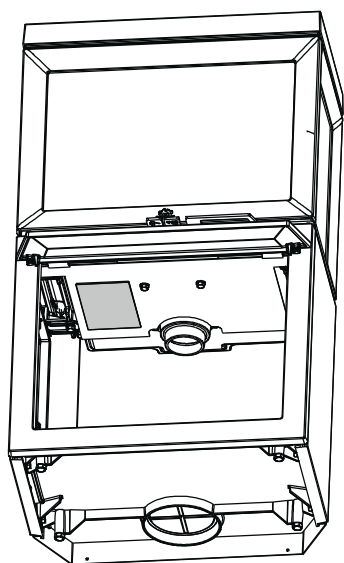


4. Lift the stove from the pallet.
5. Set up the stove and adjust using a cap wrench to a horizontal position with the 4 height adjustment screws



Approval label

Fig. 5

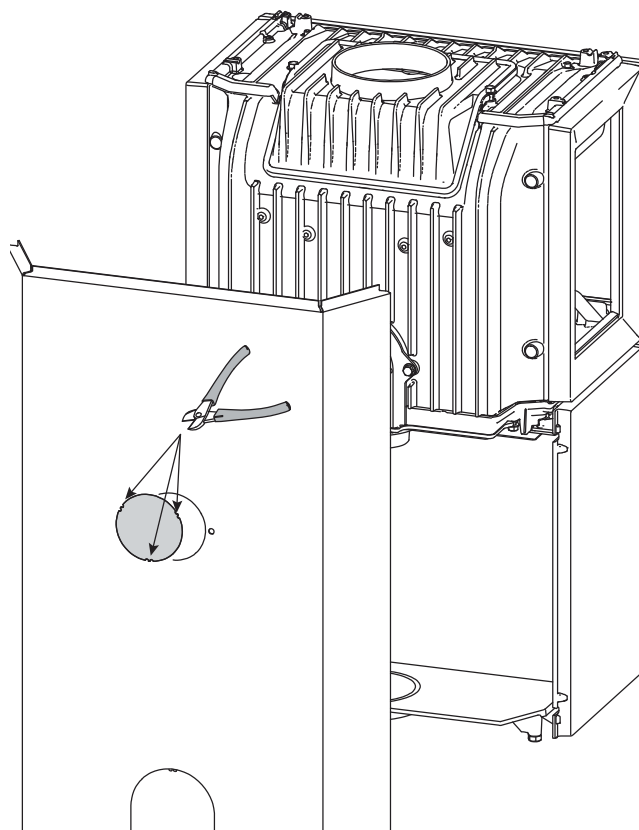


4.2 Outside air connection through the base

Through a rear outlet

Jøtul F 520 is delivered with air inlet mounted underneath the product. If needed, the air inlet may be mounted in the rear of the product.

Fig. 6



- Use a cutting pliar and cut along the knock-out holes.

Alternative through a rear outlet

Fig. 6b

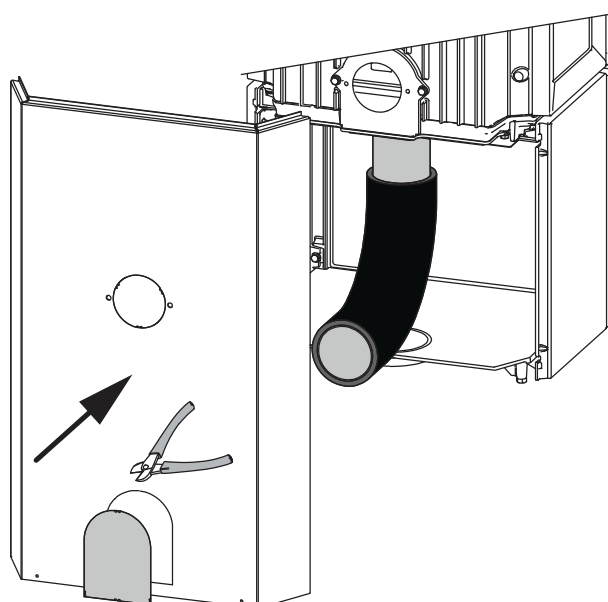


Fig. 7

